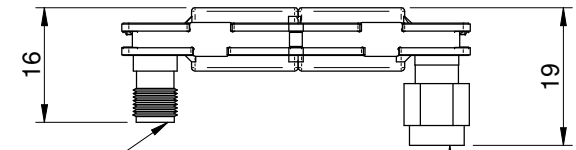
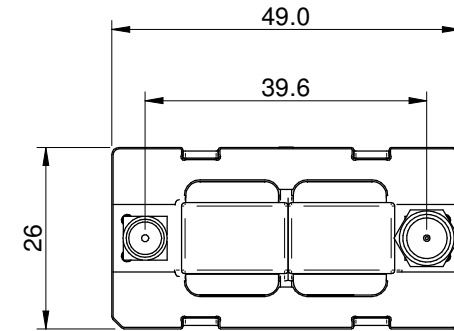
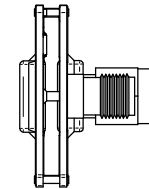
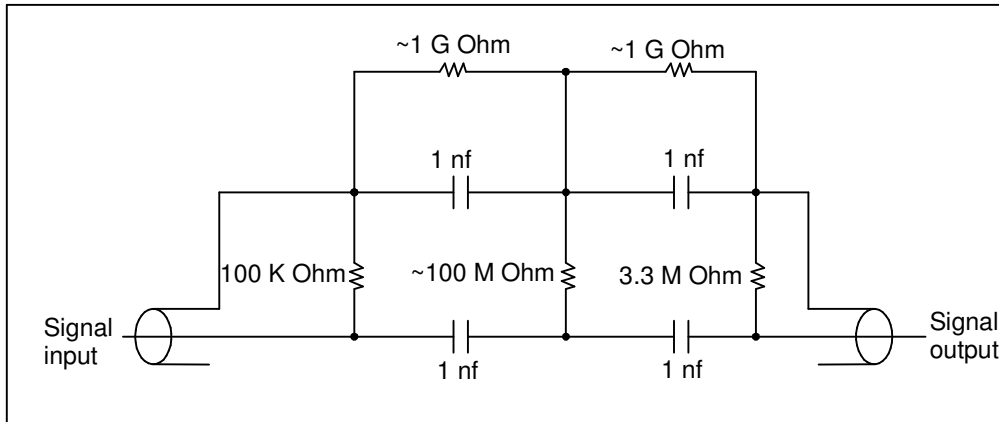


FEMALE SMA CONNECTOR
SIGNAL OUTPUT



MALE SMA CONNECTOR
SIGNAL INPUT

ELECTRICAL SCHEMATIC



NOTE:

1. COMPLIES WITH 2011/65/EU (ROHS) WITH EXEMPTION 7(C)-I & 7(C)-II

PRODUCTION APPROVAL R.WATKINS		DATE 27/4/2017	ENGINEERING APPROVAL P.RAFFIN		DATE 27/4/2017	 8 MARTHA ST CLYDE NSW 2142, AUSTRALIA PH: +61(0)2 8876 0100 ACN NO. 078 955 521 FAX: +61(0)28876 0199 ABN: 35 078 955 521
		TOLERANCE (UNLESS SPECIFIED)		MATERIAL DESCRIPTION		AC COUPLER 15KV W/SMA RoHS MECHANICAL SPECIFICATION
		LINEAR		MATERIAL TOLERANCE		
		WHOLE MILLIMETRES ±0.5		GENERAL FINISH		
		ONE DECIMAL PLACE ±0.2		TITLE		
		TWO DECIMAL PLACES ±0.1		SOLID MODEL A MACHINED FINISH 1.6/ UNLESS OTHERWISE MENTIONED		
		DIAMETER		DRAWN RW DATE 22/11/2016 SHEET 1 OF 1 PRIOR DRAWING REF. 1520102 SCALE: DO NOT SCALE		
		WHOLE MILLIMETRES ±0.5		DRAWING No. MS1520105 REVISION A		
		ONE DECIMAL PLACE ±0.2		ALL DIMENSIONS ARE IN MILLIMETERS		
		TWO DECIMAL PLACES ±0.1				
		ANGULAR				
		WHOLE DEGREES ±1°				
		ONE DECIMAL PLACE ±0.5°				
REV	DESCRIPTION	ECR #	BY	DATE		