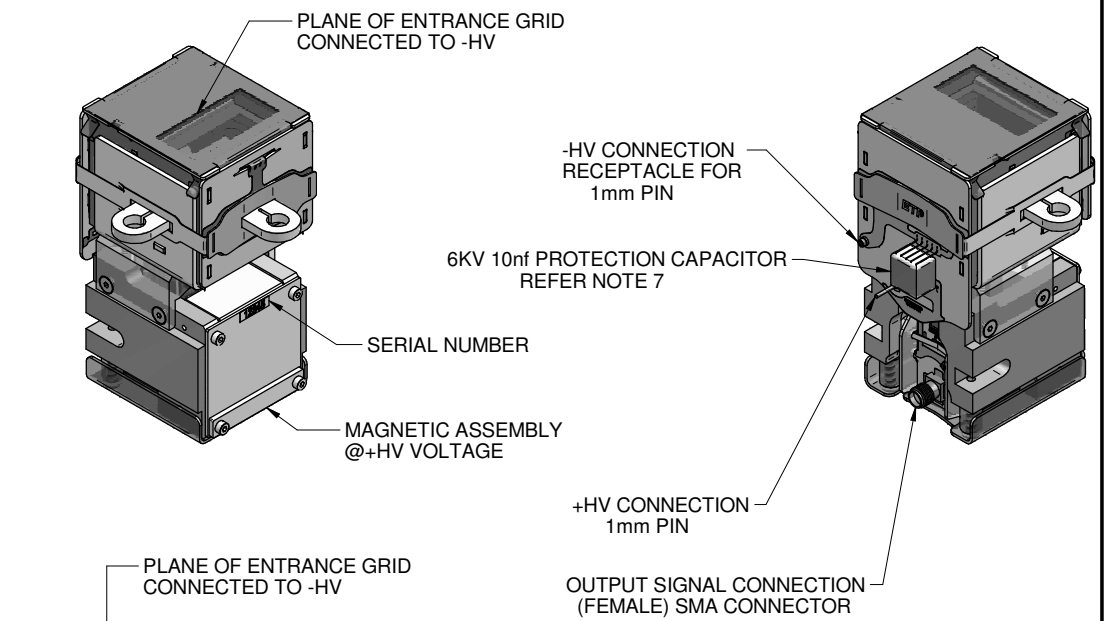
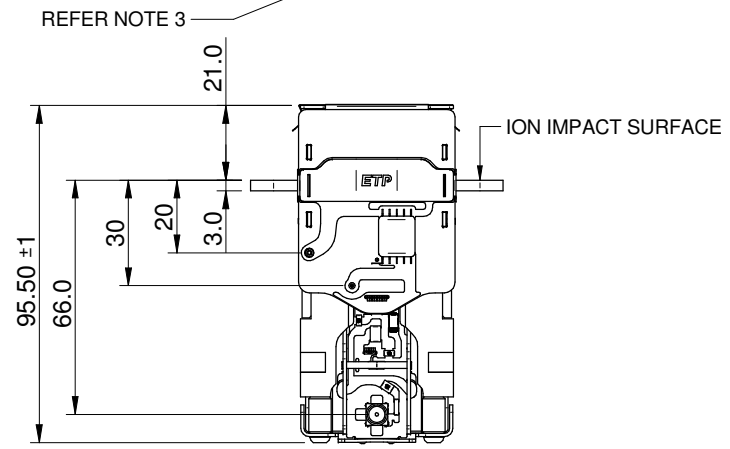
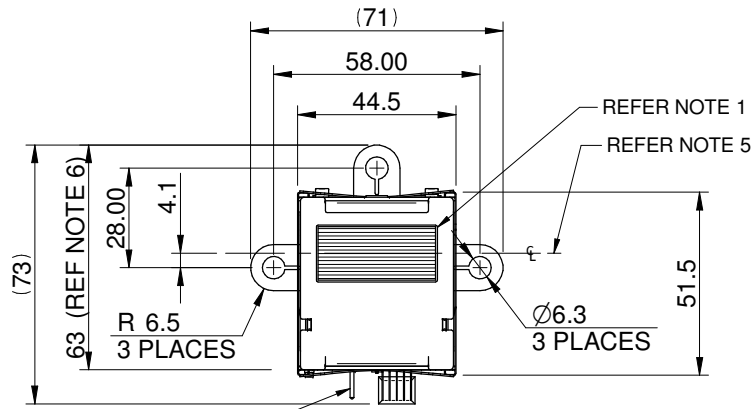


CONFIDENTIAL
 THIS DOCUMENT IS THE PROPERTY OF ETP AND CONTAINS CONFIDENTIAL AND PROPRIETARY INFORMATION OF ETP. NEITHER THIS DOCUMENT NOR THE INFORMATION CONTAINED HEREIN SHALL BE DISCLOSED TO OTHERS OR DUPLICATED OR USED BY OTHERS EXCEPT AS AUTHORISED BY ETP IN WRITING.

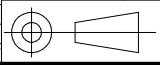


- NOTES:
1. ION INPUT APERTURE IS 15x33mm
 2. ION INPUT MESH CONNECTED TO -HV
 3. MESH COVER AND SILICONE CAPS USED FOR SHIPPING PURPOSES ONLY AND MUST BE REMOVED BEFORE INSTALLATION
 4. COMPLIES WITH 2011/65/EU (RoHS) WITH EXEMPTION 7(C)-1
 5. APERTURE OPENING CENTRELINE
 6. DIMENSION TAKEN FROM CERAMIC PLATE
 7. PROTECTIVE CAPACITOR MAX HEIGHT 9.6mm OFF CERAMIC PLATE

PRODUCTION APPROVAL		DATE		ENGINEERING APPROVAL		DATE		
TOLERANCE (UNLESS SPECIFIED)	LINEAR		MATERIAL DESCRIPTION					
	WHOLE MILLIMETERS	+0.5	MATERIAL TOLERANCE					
	ONE DECIMAL PLACE	+0.2						
	TWO DECIMAL PLACES	+0.1						
	DIAMETER		GENERAL FINISH FREE FROM TOOLING MARKS, BURRS AND SCRATCHES					
	WHOLE MILLIMETRES	+0.5						
	ONE DECIMAL PLACE	+0.2						
SOLID MODEL		MACHINED FINISH 1.6/ UNLESS OTHERWISE MENTIONED						
ANGULAR		DRAWN YB DATE 21/10/15 SHEET 1 of 2 PRIOR DRAWING REF.						
WHOLE DEGREES	+1°							
ONE DECIMAL PLACE	+0.5°							
REV	DESCRIPTION	ECR #	BY	DATE	SCALE: 1:2		DRAWING No. MSDM572	REVISION A
						DO NOT SCALE		

ETP Electron Multipliers
 8 MARTHA ST CLYDE NSW 2142 AUSTRALIA
 PH: +61(0)2 8876 0100 ACN No. 078 955 521
 FAX: +61(0)2 8876 0199 ABN: 35 078 955 521

TITLE
**ETP 500PS MAGNETOF -HV, RoHS
 MECHANICAL SPECIFICATION, 14DM572**



ALL DIMENSIONS ARE IN MILLIMETERS

CONFIDENTIAL

THIS DOCUMENT IS THE PROPERTY OF ETP AND CONTAINS CONFIDENTIAL AND PROPRIETARY INFORMATION OF ETP. NEITHER THIS DOCUMENT NOR THE INFORMATION CONTAINED HEREIN SHALL BE DISCLOSED TO OTHERS OR DUPLICATED OR USED BY OTHERS EXCEPT AS AUTHORISED BY ETP IN WRITING.

14DM572 MagneTOF Detector Specifications

Mechanical envelope size	45 X 52 X 96 mm nominal (not including mounting tabs)
Input aperture size	15 X 33 mm nominal
Single ion pulse width, (nominal FWHM)	<0.55 ns Measured at detector output (DC coupled) with 3 GHz bandwidth
Ring after main pulse	2% typical measured at detector output (DC coupled) with 3 GHz bandwidth
Sustained linear response	6 µA sustained output current for dispersed or spatially concentrated ion beams
Pulse linear response	2.5 Volt pulse magnitude into a 50 Ohm load
Maximum dark counts @ 2600V with zero input ions	< 50 per minute
Recovery time after large pulse	Negligible
Maximum operating pressure	10 ⁻⁴ Torr
Long/short term storage requirements	Protect from dust in original packaging or in an appropriate desiccator
Ion detection efficiency (low mass). Combined grids Transmission	86%
Operating Voltage range	~ -1800V (initial) to -3400V maximum (aged). Note: Operating a new detector at end-of-life (maximum) voltage can damage it.
Maximum current draw from HV power supply at the maximum operating Voltage	0.5 mA
Ambient temperature range for normal operation	15 to 28 °C (59 to 82 °F)
Ambient temperature range for optimum operation	19 to 23 °C (66 to 73 °F)
Typical gain when multiplier is new	1E6 @ ~ 1950V

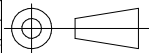
PRODUCTION APPROVAL

DATE

ENGINEERING APPROVAL

DATE

REV	DESCRIPTION	ECR #	BY	DATE	TOLERANCE (UNLESS SPECIFIED)	LINEAR	MATERIAL DESCRIPTION
						WHOLE MILLIMETERS +0.5	MATERIAL TOLERANCE
						ONE DECIMAL PLACE +0.2	
						TWO DECIMAL PLACES +0.1	
						DIAMETER	GENERAL FINISH FREE FROM TOOLING MARKS, BURRS AND SCRATCHES
						WHOLE MILLIMETRES +0.5	SOLID MODEL
ONE DECIMAL PLACE +0.2							
TWO DECIMAL PLACES +0.1							
ANGULAR	MACHINED FINISH 1.6/ UNLESS OTHERWISE MENTIONED						
WHOLE DEGREES +1°	DRAWN YB DATE 21/10/15 SHEET 2 of 2 PRIOR DRAWING REF.						
ONE DECIMAL PLACE +0.5°		SCALE: DO NOT SCALE					



ETP
Electron Multipliers

ETP Electron Multipliers
8 MARTHA ST CLYDE NSW 2142 AUSTRALIA
PH: +61(0)2 8876 0100 ACN No. 078 955 521
FAX: +61(0)2 8876 0199 ABN: 35 078 955 521

TITLE
**ETP 500PS MAGNETOF -HV, RoHS
MECHANICAL SPECIFICATION, 14DM572**

DRAWING No. **MSDM572** REVISION **A**

ALL DIMENSIONS ARE IN MILLIMETERS